

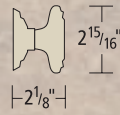


OMNIA
The CLASSICO
Collection

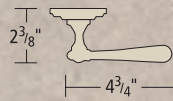
SINCE
1964

Latchsets

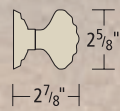
No. 059FL



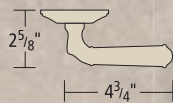
No. 251FL



No. 260FL



No. 305RE



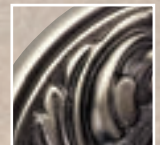
ETRUSCAN BRONZE (ETR)



FLORENTINE BRASS (D)



SIENA BRASS (BAS)

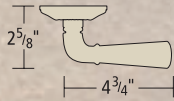


VENETIAN NICKEL (BPS)

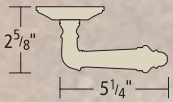
All designs available in these finishes.



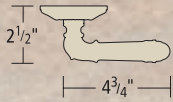
No. 309RE



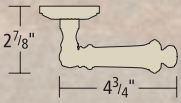
No. 331FL



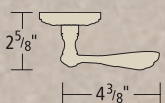
No. 332RE



No. 340RE



No. 425FL



Please specify 2 3/8" or 2 3/4" backset.

Mortise Locksets

53000



SHOWN AS
53059



INTERIOR

No. 53059

No. 57059

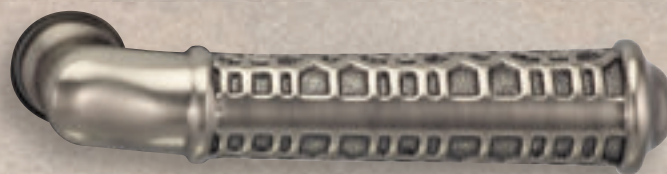


No. 53251

No. 57251

No. 53260

No. 57260



No. 53305

No. 57305



No. 53309

No. 57309

Please specify 2 1/2" or 2 3/4" backset. Other backsets available.



No. 53331

No. 57331



No. 53332

No. 57332



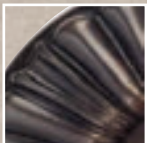
No. 53340

No. 57340



No. 53425

No. 57425



ETRUSCAN BRONZE
(ETR)



FLORENTINE BRASS
(D)



SIENA BRASS
(BAS)



VENETIAN NICKEL
(BPS)

All designs available in these finishes.

57000



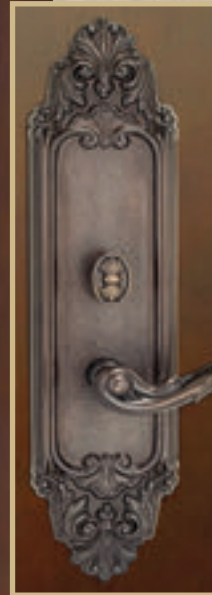
SHOWN AS
57251



INTERIOR

Handlesets

GEORGICA



INTERIOR

No. 059



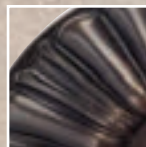
No. 251



No. 260



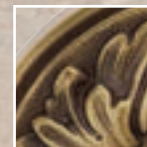
No. 305



ETRUSCAN BRONZE (ETR)



FLORENTINE BRASS (D)



SIENA BRASS (BAS)



VENETIAN NICKEL (BPS)

All designs available in these finishes.

AMAGANSETT



No. 309



No. 331



No. 332



No. 340



No. 425



INTERIOR

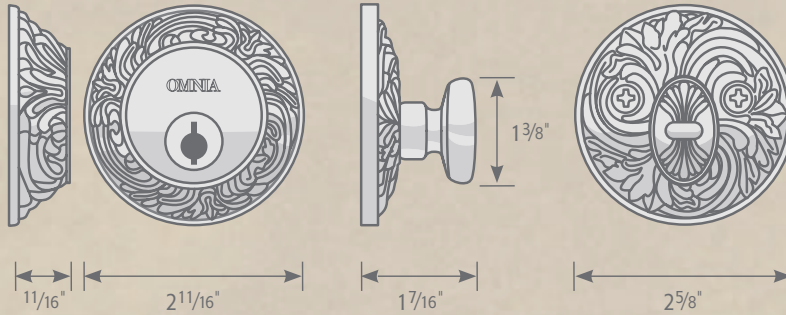


Please specify 2 1/2" or 2 3/4" backset. Other backsets available.

AUXILIARY DEADBOLT KITS

The auxiliary deadbolt is intended for use with a door that needs to be locked with a key. This locking function can be used where security is required and features a rim cylinder with a tailpiece on the exterior and a turnpiece on the interior side of the door.

OMNIA
The CLASSICO
Collection



All OMNIA cylinders are provided with a Schlage C keyway.

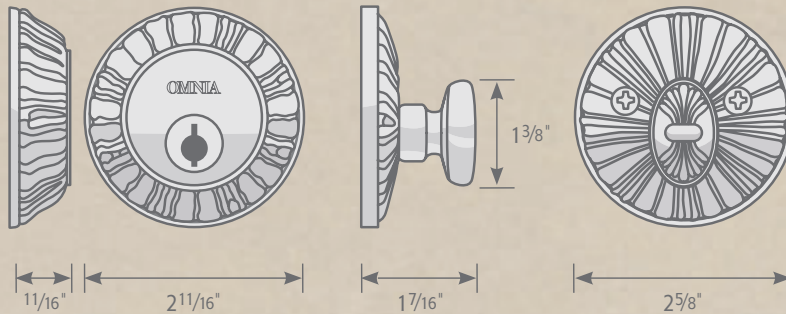
Floral FLORDB

Finishes: BAS, BPS, D, ETR
2 11/16" Diameter
1 1/16" Exterior Projection
1 7/16" Interior Turnpiece Projection



Minimum door thickness 1 3/8"
Maximum door thickness 3"

Please specify 2 3/8" or 2 3/4" backset.



All OMNIA cylinders are provided with a Schlage C keyway.

Reeded REEDDB

Finishes: BAS, BPS, D, ETR
2 11/16" Diameter
1 1/16" Exterior Projection
1 7/16" Interior Turnpiece Projection



Minimum door thickness 1 3/8"
Maximum door thickness 3"

Please specify 2 3/8" or 2 3/4" backset.



Latchsets

Latchset Component List


- | | |
|---|-------------------------------|
| A. Door Knob/Lever (2) | K. Tubular Latch Strike Plate |
| B. Set Screws (2) | L. Tubular Latch Dust Box |
| Ca. Finished Rose | Ma. Nylon Sub-Rose |
| Cb. Nylon Sub-Rose | Mb. Finished Rose |
| D. Thru-Bolt Screws (2) | N. Nylon Threaded Washers (2) |
| E. Spindle (Teardrop groove positioned towards set screw) | O. Privacy Locking Pin |
| F. Privacy Locking Block Machine Screw | P. Washer Installation Tool |
| G. Privacy Locking Block Locking Stopper | Q. Emergency Release Key |
| H. Privacy Locking Block | |
| I. Tubular Latch | |
| J. Tubular Latch Faceplate | |



All roses are concealed screw mounted.

PRODUCT DATA

Knob and Lever Latchset

- 2 3/8" (standard) and 2 3/4" backsets available.
- Supplied for 2 3/8" backset and 1 3/8" door thickness unless otherwise specified.
- Rose diameters: 3265 (reeded rose) = 2 7/8" dia., 4320 (floral rose) = 2 9/16" dia.
- All lever latchsets meet ADA accessibility requirements. 

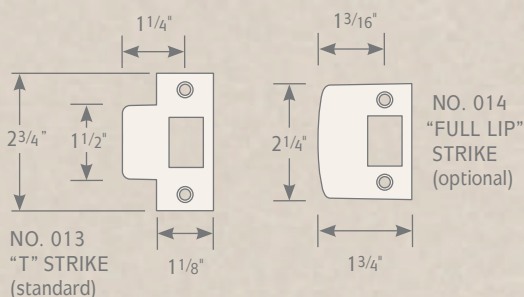
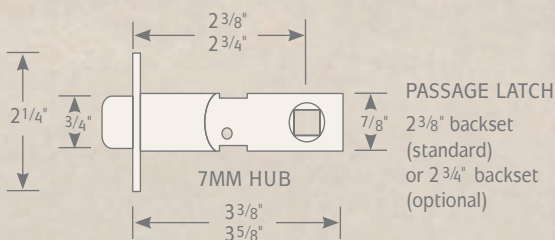
Each set consists of solid brass knobs or levers, thru-bolted rose mechanisms, finished rose covers, latch, strike, faceplate, spindle, all necessary mounting screws, installation template and instructions.

About Our Tubular Latch

- 28° to retract latch rotation.
- Tough, non-rusting materials used throughout. Face covers and strikes are solid brass. No.013 "T" strike supplied as standard or No.014 "Full Lip" strike as an option. Specify when ordering.

Functions

- **Passage:** Latch operates by knob or lever from either side of door.
- **Privacy:** Push pin provided for privacy inside room. Emergency release hole for outside room. Emergency release key also provided.
- **Single Dummy:** Trim on one side of door only. Available for surface mounting. Knob or lever with rose.
- **Pair Dummy:** Two single dummies.



CAUTION: See page 11

Drawings not to scale

Mortise Locksets PRODUCT DATA



Mortise Solid Brass Backplates

53000 Series:
Ornate Backplates.

- 13⁷/₈" x 2⁷/₈" x 3³/₈"

57000 Series:
Ornate Backplates.

- 14" x 3" x 3³/₈"

Backset: Available with two backset options: 2¹/₂" or 2³/₄". Please specify backset on order.

For Doors: 1³/₄" thick as standard. For doors over 1³/₄" thick, please specify door thickness.

- 2¹/₂" b.s.: with 3⁷/₈" minimum stile.
- 2³/₄" b.s.: with 4¹/₂" minimum stile.

Case: Heavy wrought steel with zinc dichromate finish for corrosion resistance.

- 2¹/₂" b.s.: 3⁵/₈" x 6¹/₁₆" x 1⁵/₁₆"
- 2³/₄" b.s.: 3¹⁵/₁₆" x 6¹/₁₆" x 1⁵/₁₆"

Front: Adjustable armored steel front, with 8" x 1¹/₄" solid brass faceplate for all lock bodies. Finished to match trim.

Latchbolt: Two-piece anti-friction design made from solid brass. Both lock bodies with 1" x 5⁵/₈" x 3³/₄" full throw.

Deadbolt: 1³/₁₆" x 9⁹/₁₆" x 1" full throw. Solid brass, one-piece component with saw-proof insert.

Springs: High carbon steel.

Strike: Solid brass curved lip strike. 4⁷/₈" x 1¹/₄" x lip 1¹/₄" to center. Finished to match trim. Dust box supplied as standard. Extended lip strikes available.

Hand: Fully reversible. When ordering specify right or left hand, and reverse bevel if applicable.

Cylinder: Solid brass from bar stock. Made in USA. Schlage "C" keyway supplied as a standard, with two OMNIA nickel silver keys.

Keying: Ship standard Keyed Different (KD). Specify Keyed Alike (KA) when needed. Special keying available upon request.

Safety Standards:

- Conforms to requirements of ANSI / BHMA A156.13 Series 1000.

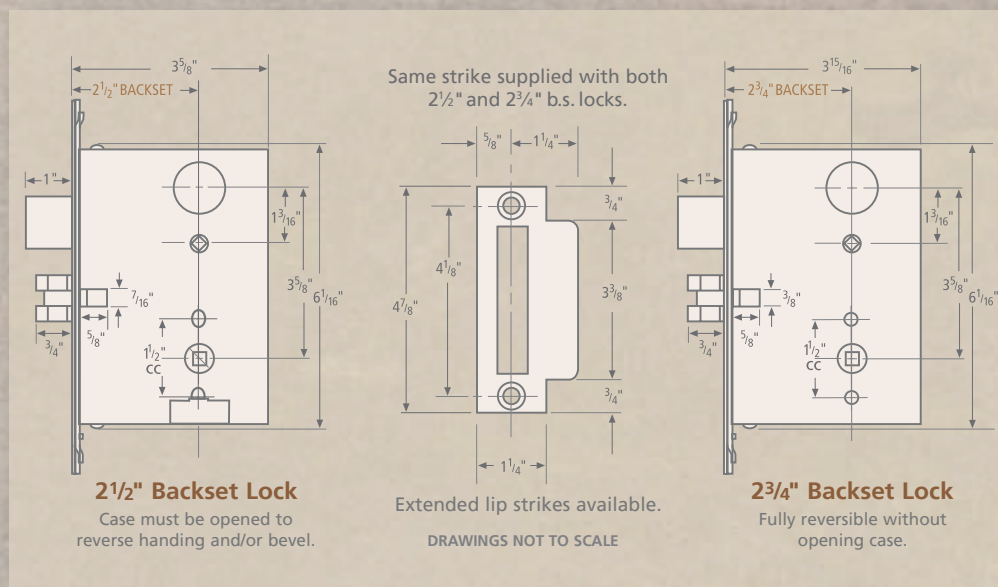
CAUTION:

Door and Frame Manufacturers

When door gasketing or silencers are used, proper allowances must be made for strike location to maintain a common centerline with lock and door so that the bolt will freely enter strike.

FUNCTIONS

- STANDARD ENTRY — A
ANSI# FO8
- DOUBLE
CYLINDER ENTRY — AC
- PANIC-PROOF ENTRY — F
ANSI# F12
- STORE ROOM — EW
ANSI# FO7
- CLASSROOM — J
ANSI# FO5
- PASSAGE — N
ANSI# FO1
- PRIVACY — L
ANSI# FO2



Handlesets PRODUCT DATA

Specifications: 2 1/2" or 2 3/4" b.s. Mortise Locksets.

For Doors: with 3 7/8" minimum stile for 2 1/2" b.s. lock. 4 1/2" minimum stile for 2 3/4" b.s. lock. 1 3/4" thick as a standard. For doors over 1 3/4" thick, please specify door thickness and if extended lip strike is required.

Case: 2 1/2" b.s.: 3 5/8" x 6 1/16" x 1 5/16".
2 3/4" b.s.: 3 15/16" x 6 1/16" x 1 5/16". Heavy wrought steel with zinc dichromate finish for corrosion resistance.

Backset: 2 1/2" or 2 3/4". (2 1/2" b.s. shipped standard.)

Front: Armored steel front, adjustable for beveled conditions. With 8" x 1 1/4" solid brass faceplate. Finished to match trim.

Latchbolt: 1" x 5/8" x 3/4" full throw. Solid brass with anti-friction design.

Deadbolt: 1 3/16" x 9/16" x 1" full throw. Solid brass, one-piece component with saw-proof insert.

Springs: High carbon steel.

Strike: Solid brass curved lip strike. 4 7/8" x 1 1/4" x lip 1 1/4" to center. Finished to match trim. Dust box shipped with set. Extended lip strikes available.

Hand: Fully reversible. When ordering specify right hand or left hand, and if reverse bevel is needed.

Cylinder: Solid brass from bar stock. Made in USA. Supplied with Schlage "C" keyway as a standard and two nickel silver keys. Ship standard Keyed Different (KD). Specify Keyed Alike (KA) when needed. Special keying available upon request.

CAUTION:

Door and Frame Manufacturers

When door gasketing or silencers are used, proper allowances must be made for strike location to maintain a common centerline with lock and door so that the bolt will freely enter strike.

BACKPLATE DIMENSIONS:

AMAGANSETT

Exterior: 21" x 2 7/8" x 3/8"

Interior: 13 7/8" x 2 7/8" x 3/8"

GEORGICA

Exterior: 22 1/8" x 3" x 3/8"

Interior: 14" x 3" x 3/8"

FUNCTIONS

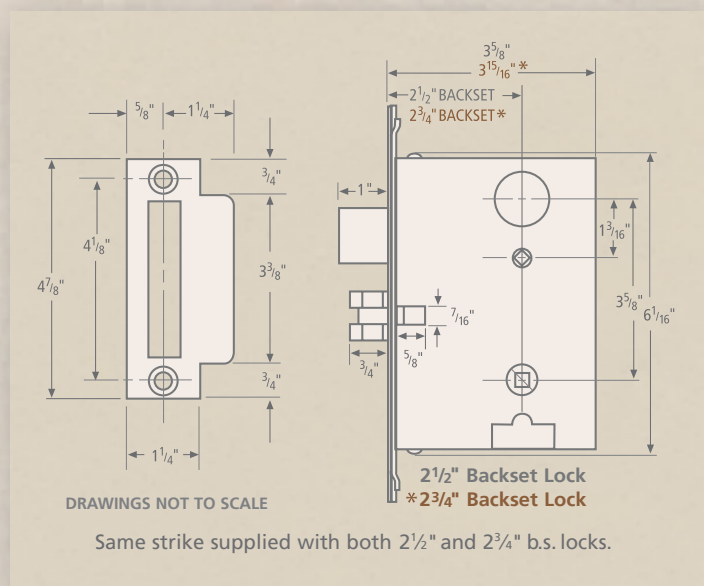
STANDARD — A

DOUBLE CYLINDER — AC

PANIC-PROOF — F

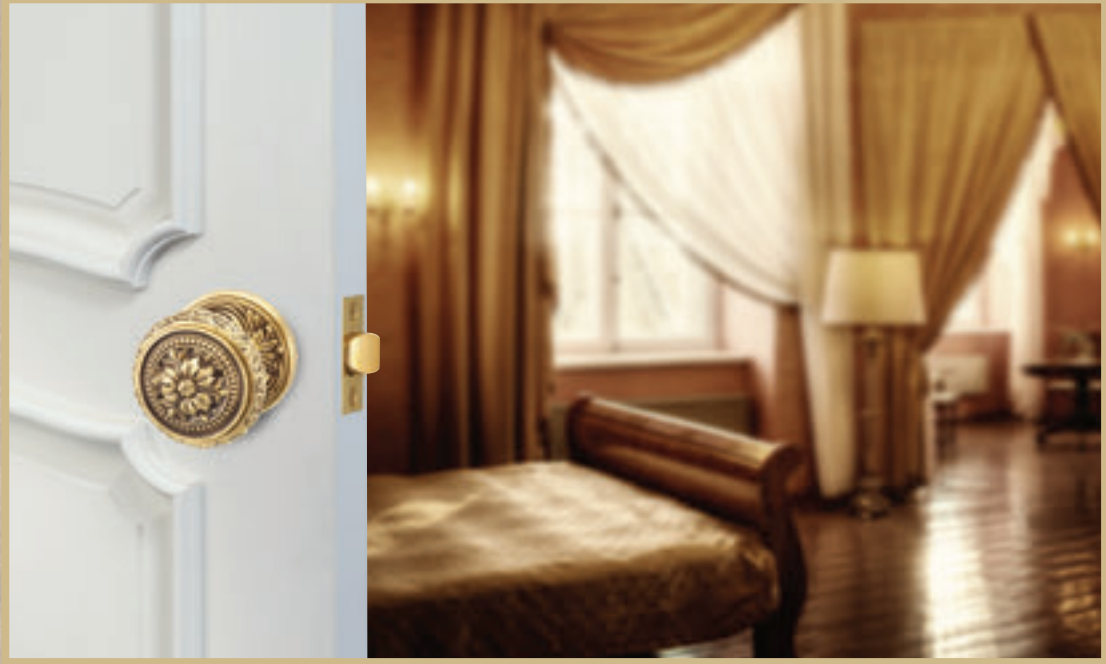
Other functions available on request.

Dummy applications not recommended for commercial use.



Conforms to requirements of ANSI / BHMA A156.13 Series 1000

Made In U.S.A. LISTED



Since 1964, the name OMNIA has been synonymous with architectural hardware that is uniquely and stylishly designed, yet exceptionally functional. We are proud of the attention given to every element, from quality to innovation, from service to marketing. A blending of traditions of excellence, coupled with a strong commitment to modern technologies, makes OMNIA the sound choice for any residential or commercial application.

OMNIA
The CLASSICO
Collection



OMNIA
INDUSTRIES, INC.

Box 330, Cedar Grove, New Jersey 07009

www.OmniaIndustries.com

ph: 973.239.7272 / fax: 973.239.5960

